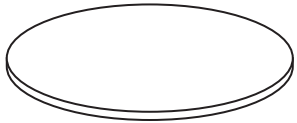


Model XT Tables / XTC Tables Standard and Café Height X-Style Base Tables

Parts Listing

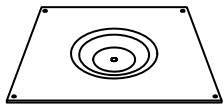
A

Table Top (Round or Square)
1 Unit



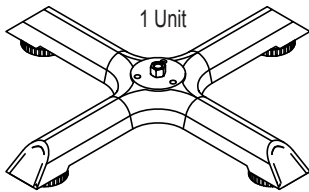
B

Mounting Plate
1 Unit



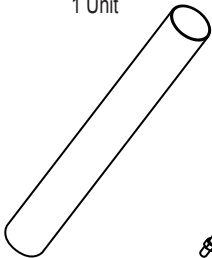
C

Table Base
1 Unit



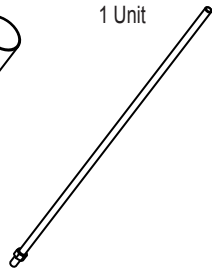
D

Center Post
1 Unit



E

Threaded Rod
1 Unit



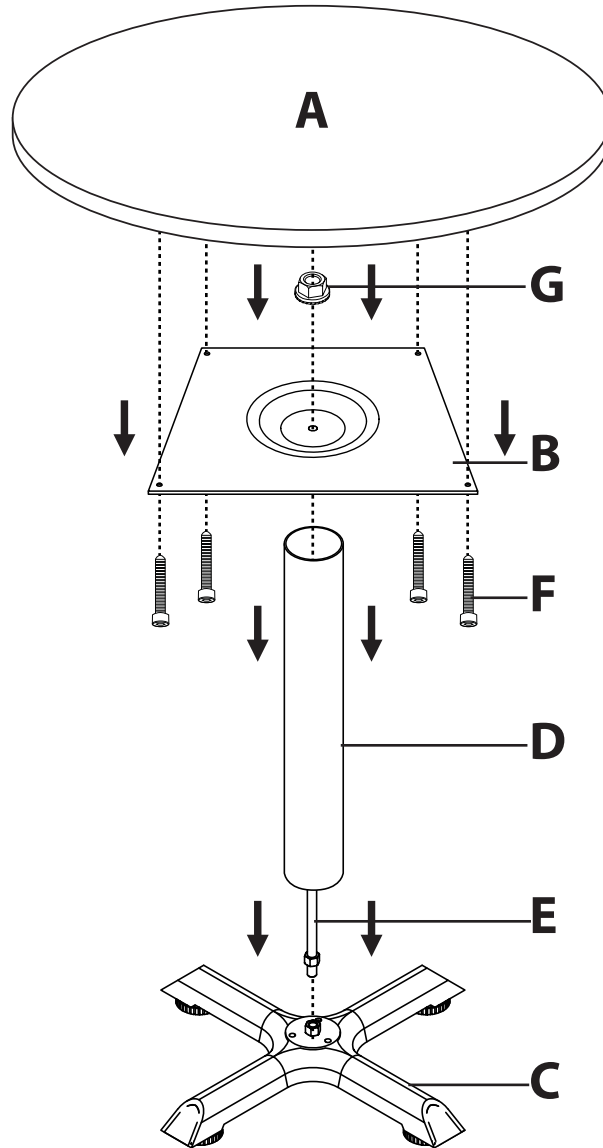
F

Mounting Plate Bolts
4 Units



G

Threaded Rod Nut
1 Unit



Assembly Notes:

During assembly, hand tighten screws only. When all screws are in place, you may then tighten all screws completely.

CAUTION:

1. Do not use this table as a step ladder.
2. Check for loose screws and tighten them every 6 months.

Assembly Instructions



Tools Needed: Allen Wrench, Adjustable Wrench
Please read all instructions before assembly.

Step 1: Place the Table Base (C) securely on a flat, clean surface. Insert the Threaded Rod (G), with the attached nut on the bottom, into the hole in the center of the Table Base (C) and tighten with adjustable wrench.

Step 2: Cover the Threaded Rod (E) with the Center Post (D) and securely fit Center Post (D) onto Table Base (C).

Step 3: Place Mounting Plate (B) down on top of the Center Post (D), making sure to thread the top of the Threaded Rod (E) through the center hole in the Mounting Plate (B). Make sure the Mounting Plate (B) is square with the base, and secure by placing the Threaded Rod Nut (G) onto the end of the Threaded Rod (E) and tightening with an adjustable wrench.

Step 4: Attach the Table Top (A) by placing it down onto the Mounting Plate (B), as shown, and secure by aligning the holes in each and inserting Mounting Plate Bolts (F) through the Mounting Plate (B) and into the bottom of the Table Top (A). Tighten with an Allen Wrench.

Note: If table seems to wobble, adjust the built-in leveling glides on the base to make the table secure.

ofm
Furniture For The Real Office™

161 Tradition Trail, Holly Springs, NC, 27540
800-520-7471 (voice) 919-362-4765 (fax)
919-303-6389 (voice) www.ofminc.com
support@ofminc.com