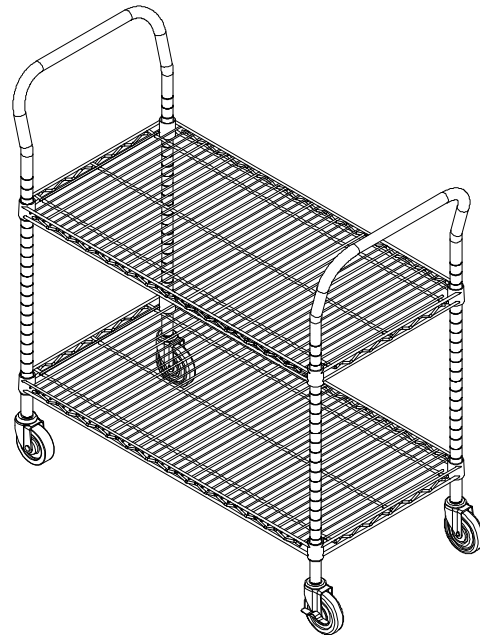
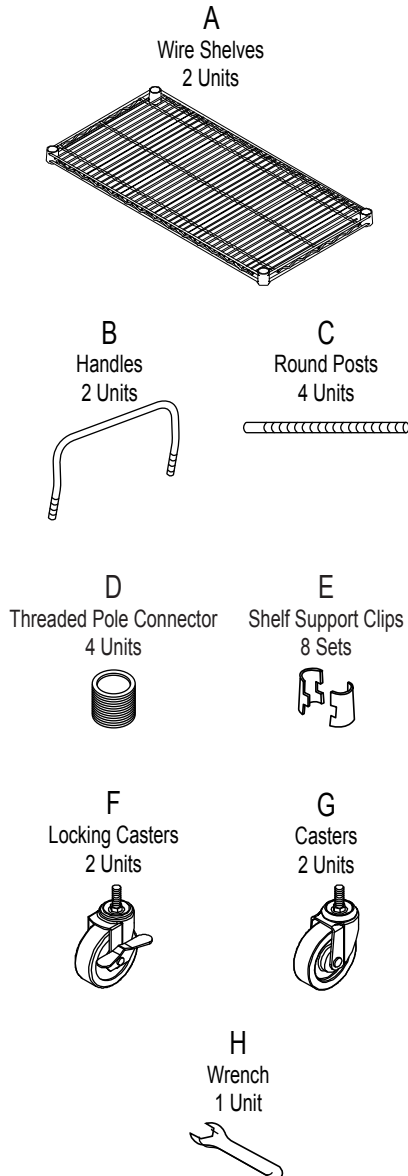


Models SHCART1836 / SHCART1848 / SHCART1860 / SHCART2436 / SHCART2448 / SHCART2460 / SHCART2472 Mobile Carts

Parts Listing



Assembly Instructions

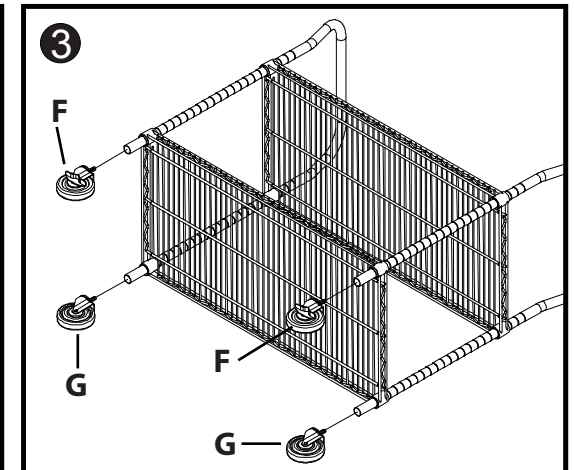
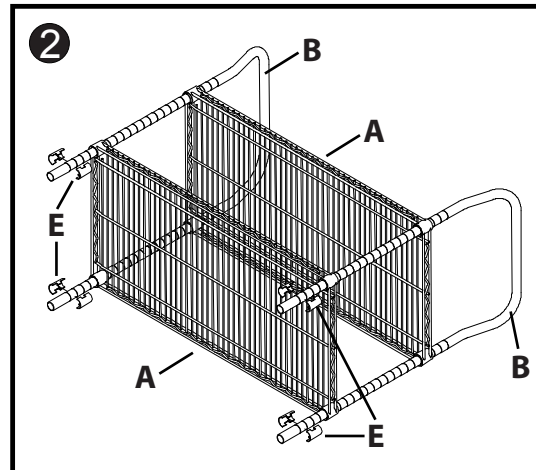
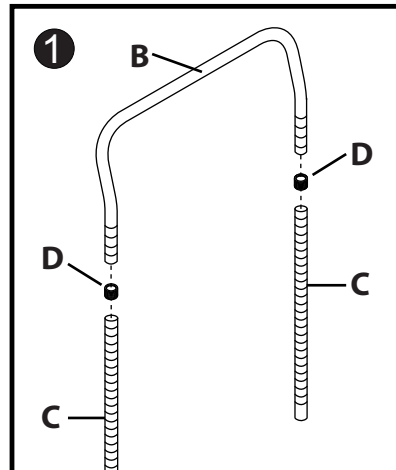


Tools Needed: (1) Small Wrench (Included)
Please read all instructions before assembly.

Step 1: Attach Handles (B) to Round Posts (C) using the Threaded Pole Connector (D). Screw the Threaded Pole Connector (D) into the Handles (B) first before attaching the Round Posts (C). Do this for both sets of Handles (B).

Step 2: Slide Wire Shelves (A) onto each set of assembled Handle/Round Pole combinations. After Wire Shelves (A) are in desired position, attach 1 M/F set of Shelf Support Clips (E) to the Round Post (C) at the pole groove just below the shelf hole. The Shelf Support Clips (E) should come together and snap to the groove in the pole. Do this on each pole, under each shelf. Slide the Wire Shelf (A) down onto the Shelf Support Clips (E). The Shelf Support Clips (E) will keep the Wire Shelves (A) in place and prevent them from sliding down the Round Posts (C).

Step 3: With Cart lying on its side, screw in both Locking Casters (F) to the same handle side and the other two Casters (G) to the other handle side. Tighten the Casters (F & G) using the supplied Wrench (H).



Assembly Notes:

During assembly tighten all screws completely.

CAUTION:

1. Do not use this cart as a step ladder.
2. Check for loose screws and tighten them every 6 months.

ofm
Furniture For The Real Office™

161 Tradition Trail, Holly Springs, NC, 27540
800-520-7471 (voice) 919-362-4765 (fax)
919-303-6389 (voice) www.ofminc.com
support@ofminc.com