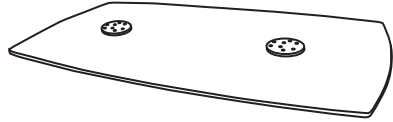


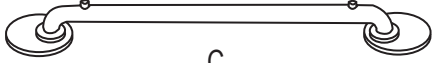
Model GT3977 Glass Conference Table - 39" x 77"

Parts Listing

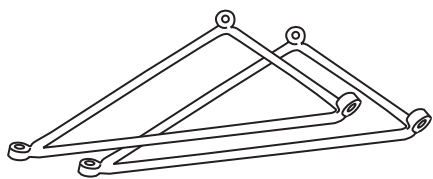
A
Table Top
1 Unit



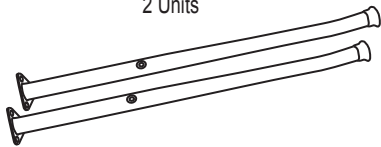
B
Center Support Beam
1 Unit



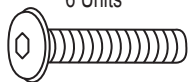
C
Support Braces
2 Units



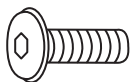
D
Legs
2 Units



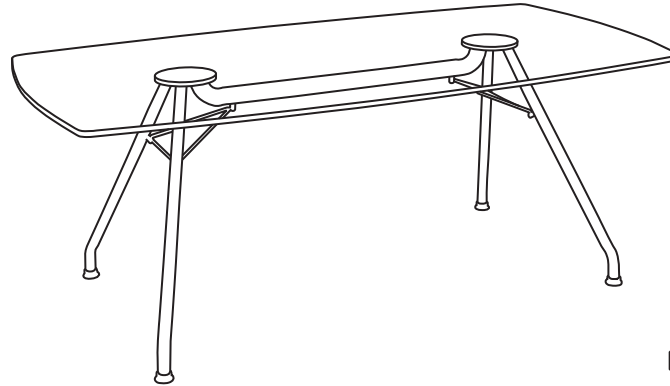
E
Long Screws
6 Units



F
Short Screws
16 Units



G
Allen Wrench
1 Unit



ATTENTION: After assembly, two people are required to turn table right side up.

Assembly Instructions



Tools Needed: Allen Wrench (Provided)

***You will need two people to assemble this table. DO NOT attempt to assemble by yourself.**

Please read all instructions before assembly.

Step 1: Using two people, very carefully lay the Table Top (A) upside down on a flat, clean surface. Attach the Center Support Beam (B) to the mounting plate on the Table Top (A) by inserting Short Screws (F) through Center Support Beam (B) and into mounting plate. Only hand tighten the screws. Repeat for opposite side.

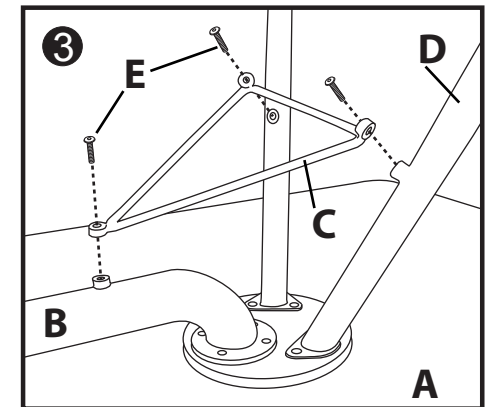
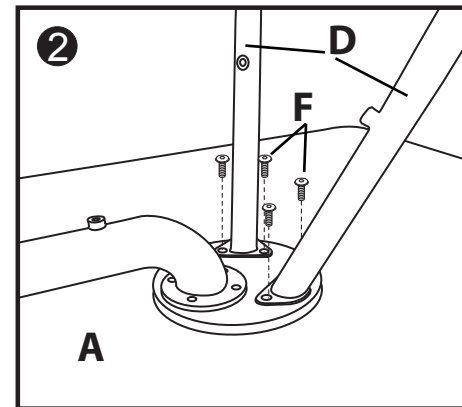
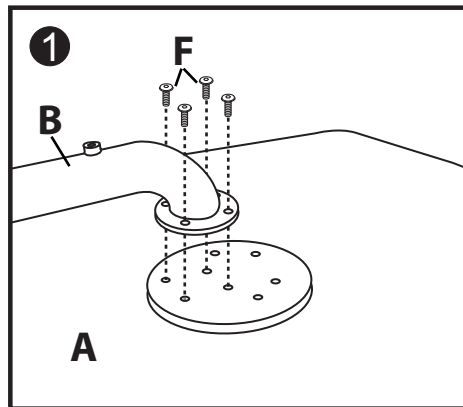
Step 2: While one person holds up the Legs (D), attach the Legs (D) to the mounting plate on the Table Top (A) by inserting Short Screws (F) through holes in the Legs (D) and into the mounting plate. Only hand tighten Screws (F). Repeat for opposite side.

Step 3: Secure Legs (D) by lining up Support Braces (C) with holes on the Legs (D) as shown.



*Please make note of the distinction between the mounting holes on the Support Braces (C). Two corners have a severe angle, while one corner is less severe. The two matching corners should attach to the Legs (D) as shown.

Attach by inserting Long Screws (E) through Support Brace (C) and into Legs (D). After attaching Support Braces (C) to both Legs (D) on one side, line up remaining corner on Support Brace (C) with hole on Center Support Beam (B) and attach by inserting Long Screw (E) through Support Brace (C) and into Center Support Beam (B). Repeat for opposite side. Securely tighten all screws in table.



Assembly Notes:

During assembly, hand tighten screws only. When all screws are in place, you may then tighten all screws completely.

CAUTION:

1. Do not use this table as a step ladder.
2. Check for loose screws and tighten them every 6 months.

ofm_U
Furniture For The Real Office™

161 Tradition Trail, Holly Springs, NC, 27540
800-520-7471 (voice) 919-362-4765 (fax)
919-303-6389 (voice) www.ofminc.com
support@ofminc.com