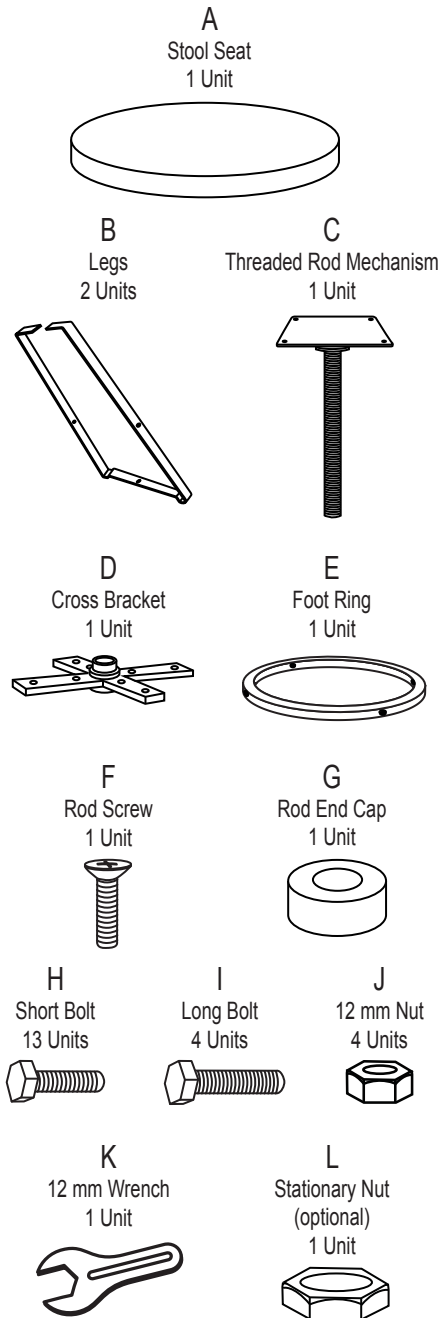


# Model 920 / 921

## Parts Listing



## Assembly Instructions



**Tools Needed:** Phillips Head Screwdriver, Adjustable Wrench, 13mm Socket Wrench  
*Please read all instructions before assembly.*

**Step 1:** Connect both Legs (B) by inserting Short Bolt (H) through crossed Legs (B) using a socket or adjustable wrench. Hand tighten only.

**Step 2:** Attach Foot Ring (E) by aligning its holes with those on the Legs (B). Insert Long Bolts (I) through and secure with 12 mm Nuts (J) using a socket wrench and adjustable wrench.

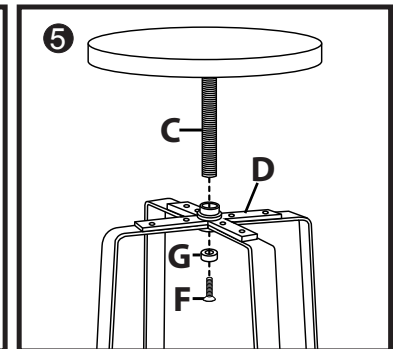
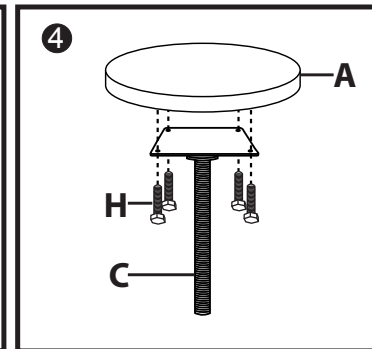
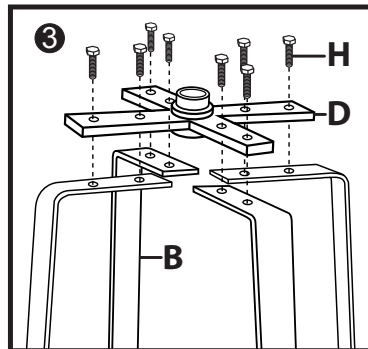
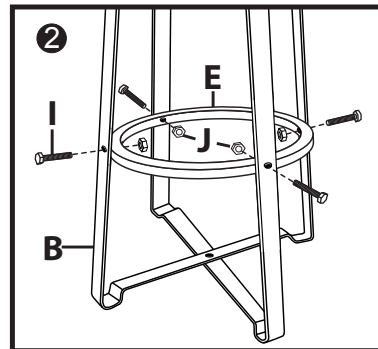
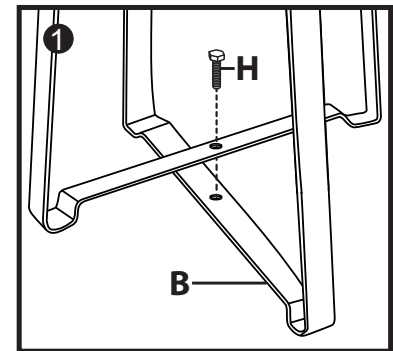
**Step 3:** Secure Legs (B) by placing Cross Bracket (D) on top, lining up the bars, and inserting Short Bolts (H) down through Bracket (D) and into the Legs (B) as shown. Hand tighten only.

**Step 4:** Attach Threaded Rod Mechanism (C) to Stool Seat (A) by inserting Short Bolts (H) through the plate on the Mechanism (C) and into bottom of the Stool Seat (A). Securely tighten all bolts on base.

**Step 5:** Insert Threaded Rod Mechanism (C) down through the hole in the Cross Bracket (D).

**Optional Stationary Instructions:** To fix the stool at one stationary height, screw the Stationary Nut (L) onto the bottom of the Threaded Rod Mechanism (C) and tighten it at the stool height you desire.

Secure by attaching Rod End Cap (G) using the Rod Screw (F).



**WEIGHT CAPACITY: 250 lbs.**

### Assembly Notes:

During assembly, hand tighten screws only. When all screws are in place, you may then tighten all screws completely.

### CAUTION:

1. Do not use this stool as a step ladder.
2. Check for loose screws and tighten them every 6 months.

**ofm**  
Furniture For The Real Office™

161 Tradition Trail, Holly Springs, NC, 27540  
800-520-7471 (voice) 919-362-4765 (fax)  
919-303-6389 (voice) www.ofminc.com  
support@ofminc.com