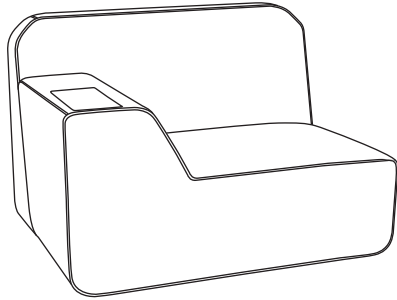


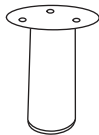
# Models 5000L & 5000R Serenity Series

## Parts Listing

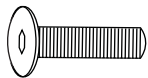
A  
Chair  
1 Unit



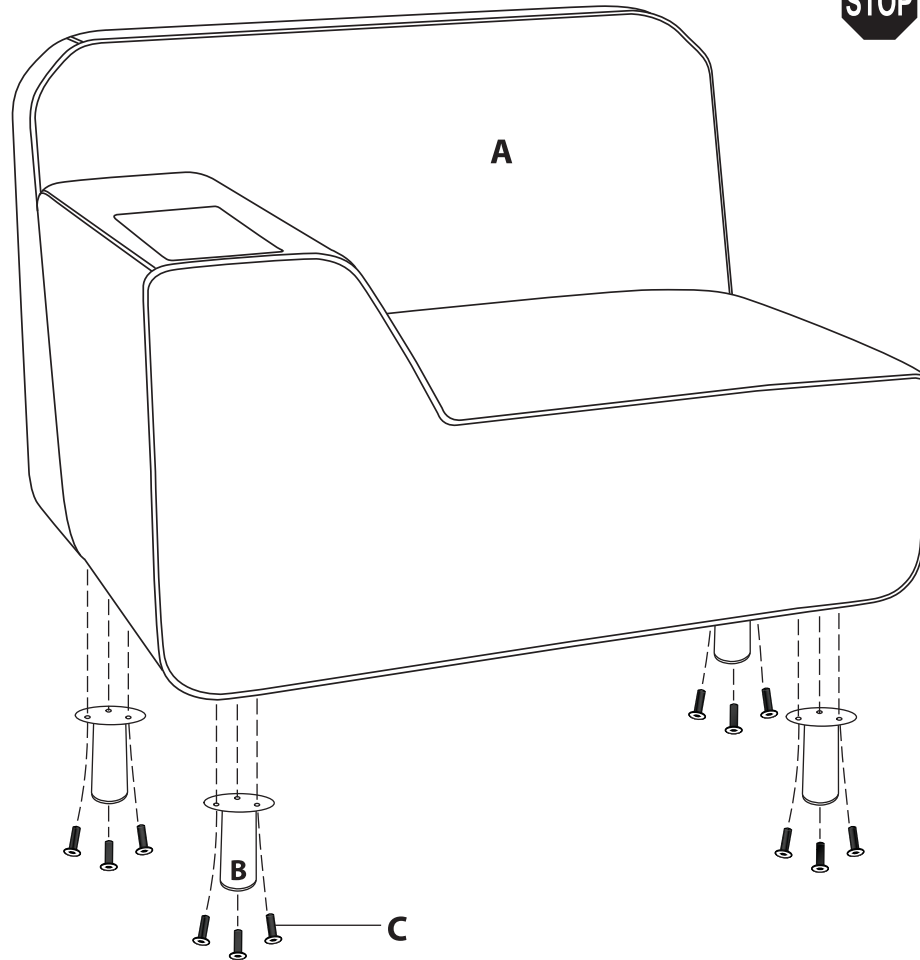
B  
Legs  
4 Units



C  
6x25mm Screws  
12 Units



D  
Allen Wrench  
1 Unit



## Assembly Instructions

**Tools Needed: Allen Wrench (provided)**

**Step 1:** Attach the Legs (B) to the Chair (A) by carefully laying the Chair (A) onto its back and screwing each Leg (B) into the bottom of the chair frame. Align holes in each Leg (B) with corresponding holes in each corner of the bottom of the chair frame. Insert Screws (C) through the holes in Legs (B) and into the bottom of the chair frame. Tighten using Allen Wrench (D).

**Step 2:** Return Chair (A) to upright position.

**WEIGHT CAPACITY: 500 lbs.**

### Assembly Notes:

During assembly, hand tighten screws only. When all screws are in place, you may then tighten all screws completely.

### CAUTION:

1. Do not use this chair as a step ladder.
2. Check for loose legs and tighten them every 6 months.

**ofm**  
Furniture For The Real Office™

161 Tradition Trail • Holly Springs, NC, 27540  
800-520-7471 (voice) • 919-362-4765 (fax)  
919-303-6389 (voice) • www.ofminc.com  
support@ofminc.com