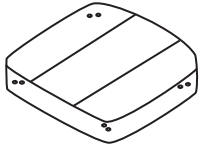


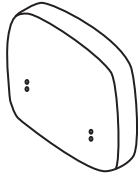
# Model: 403 / 403-VAM / 405 / 405-VAM Guest / Reception Chairs

## Parts Listing

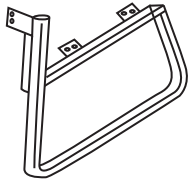
A  
Seat Cushion



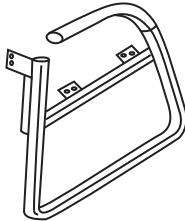
B  
Back Cushion



C  
Steel Frame  
Armless  
1 pair



D  
Steel Frame  
with Arm  
1 pair



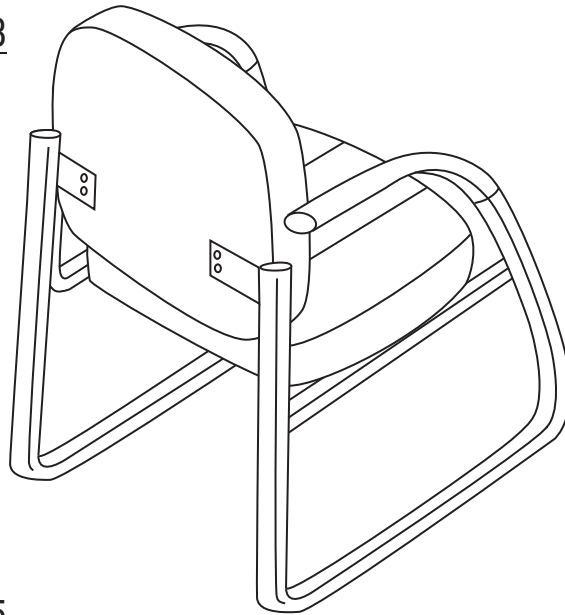
E  
M8 Ni-Lock  
Hex Screws  
8 pcs.



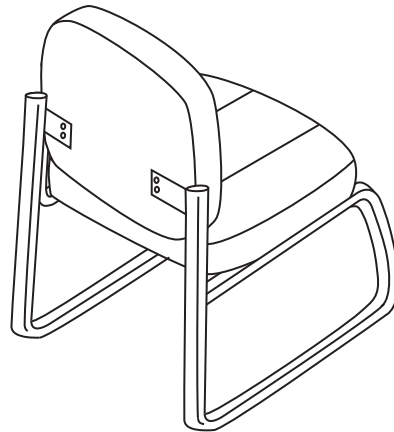
F  
6mm Hex Screws  
4 pcs.



403



405

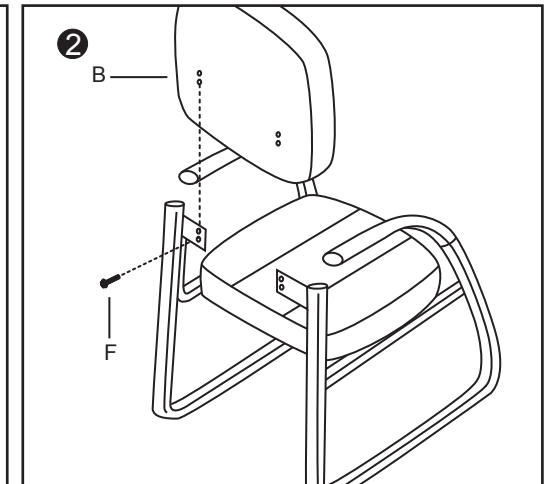
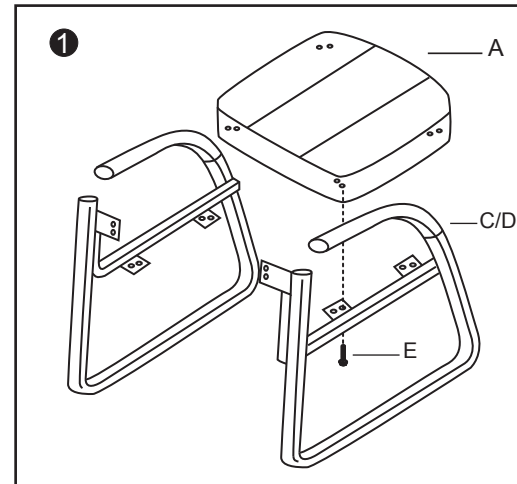


## Assembly Instructions



**Tools Needed: Phillips Head Screwdriver**  
*Please read all instructions before assembly.*

- Step 1:** Mount both sides of Seat Cushion (A) onto the bottom rib of the steel frame (C or D), with special coated Ni-Lock Screws (E) and tighten with screwdriver.
- Step 2:** Place the Back Cushion (B) onto the back rib on top of the side Steel Frame (C or D), attach it with the Hex Screws (F) and tighten with screwdriver.



**WEIGHT CAPACITY: 250 lbs.**

### Assembly Notes:

During assembly, hand tighten screws only. When all screws are in place, you may then tighten all screws completely.

### CAUTION:

1. Do not use this chair as a step ladder.
2. Check for loose screws and tighten them every 6 months.

**ofm**  
Furniture For The Real Office™

161 Tradition Trail, Holly Springs, NC, 27540  
800-520-7471 (voice) 919-362-4765 (fax)  
919-303-6389 (voice) www.ofminc.com  
support@ofminc.com