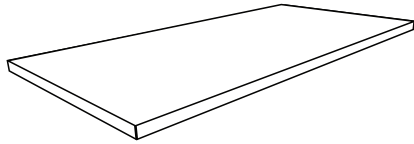
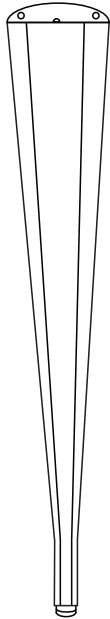


# Models 33362 & 33378 Edge Series Desk/Conference Table

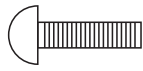
## Parts Listing



A  
Table Top  
1 Unit



B  
Legs  
4 Units



C  
Screws  
12 Units



D  
Allen Wrench  
1 Units



## Assembly Instructions



**Two People Needed For Assembly**  
*Please read all instructions before assembly.*

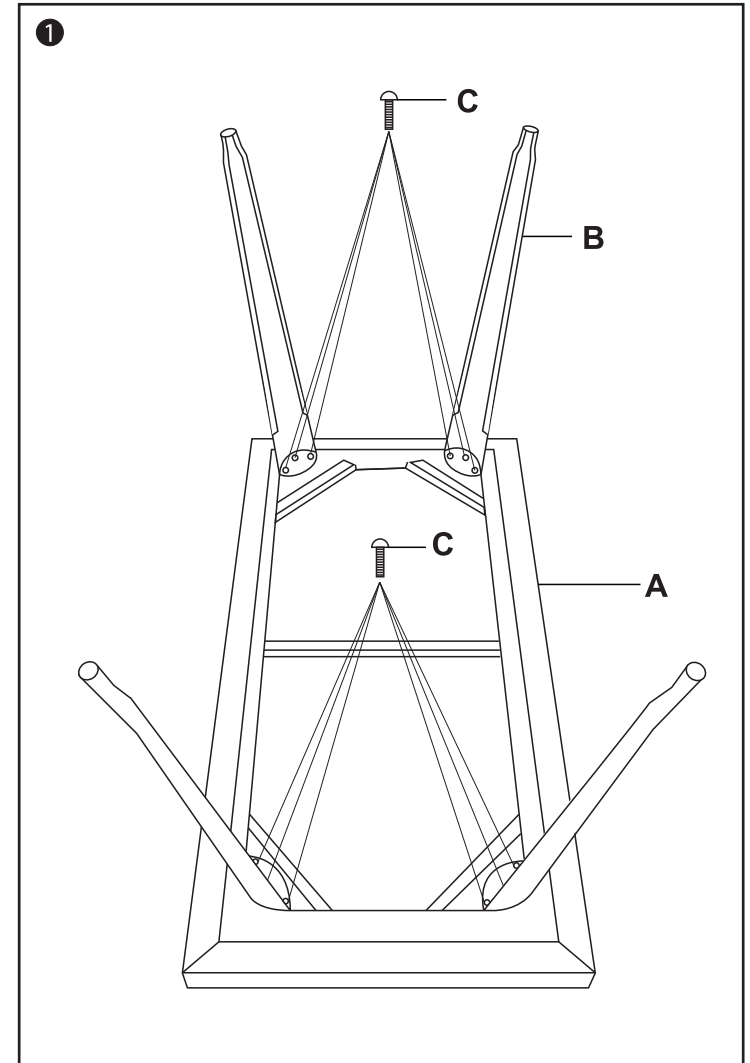
**Step 1:** Place Table Top (A) upside down on a clean, flat surface. Place Legs (B) upside down onto Table Top (A) aligning the curved attachment on the legs with the table top. Attach each Leg (B) to Table Top (A) using Screws (C) provided. Secure with Allen Wrench (D). Use two people to flip the table upright.

### Assembly Notes:

During assembly, hand tighten screws only. When all screws are in place, you may then tighten all screws completely.

### CAUTION:

1. Do not use this table as a step ladder.
2. Check for loose screws and tighten them every 6 months.



*ofm*

161 Tradition Trail, Holly Springs, NC 27540  
800-520-7471 (voice) 919-362-4765 (fax)  
919-303-6389 (voice) www.ofmnc.com  
support@ofmnc.com