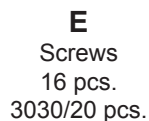
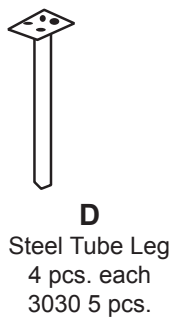
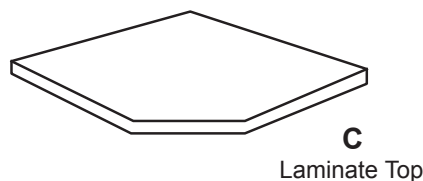
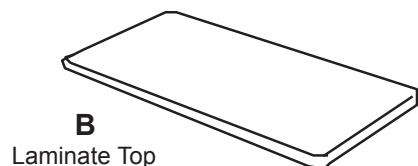
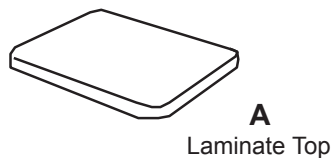
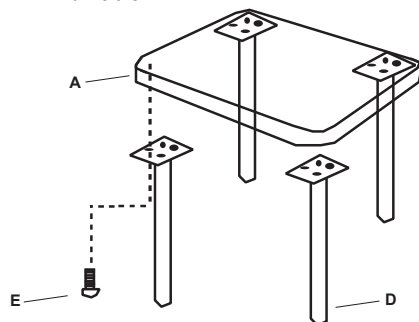


# Reception Tables Model ET2020, ET2040, ET3030

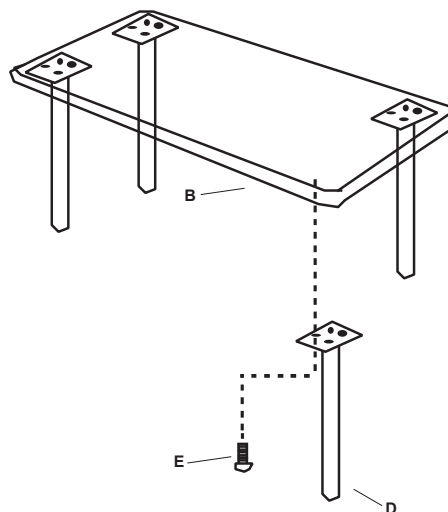
## Parts Listing



Model ET2020  
End Table



Model ET2040  
Magazine Table



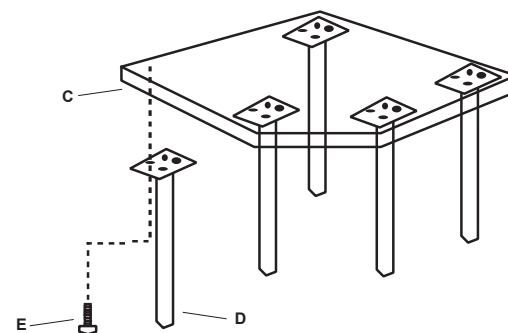
## Assembly Instructions



**Tools Needed: Phillips Head Screwdriver**  
*Please read all instructions before assembly.*

Attach the Triangle-shape Steel Tube Legs; 4 or 5 legs per table(D) to bottom of the laminated tops (A, B,C) with the screws provided (E). Model ET3030 has an additional support leg to attach (D).

Model ET3030  
Corner Table



### CAUTION:

1. Do not use this table as a step ladder.
2. Check for loose screws and tighten them every 6 months.



Holly Springs, NC, USA  
800-520-7471 (voice)  
919- 303-6389 (voice)  
919-362-4765 (fax)  
support@ofminc.com  
www.ofminc.com