



161 traditions trail
 Holly Springs, NC 27540
 Phone: 800-520-7471
 Fax: 919-362-4765
 Web Site: www.ofminc.com
 E-mail: ofm@ofminc.com

LINEA ITALIA[®]

ASSEMBLY INSTRUCTIONS

INSTRUCTIVO DE ENSAMBLE

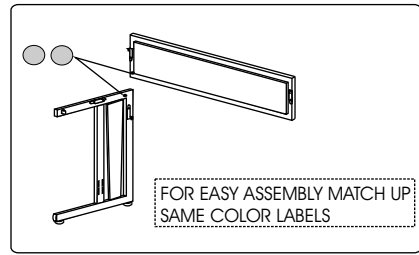
55148

PRIVACY STATION



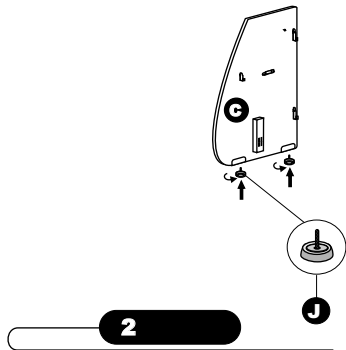
A **T** 15 min
 ASSEMBLY TIME

PATENT PENDING PATENTE EN TRAMITE

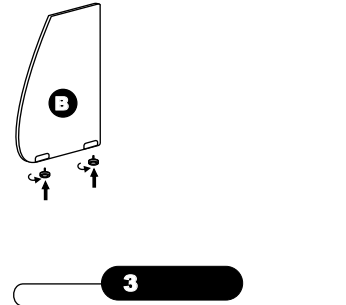


FOR EASY ASSEMBLY MATCH UP SAME COLOR LABELS

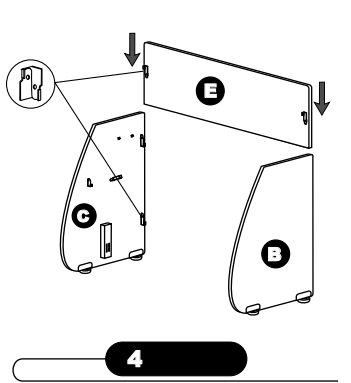
1



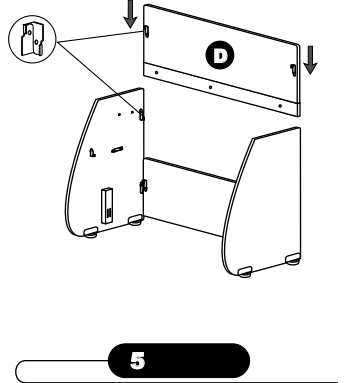
2



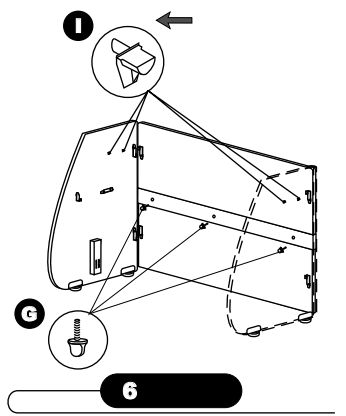
3



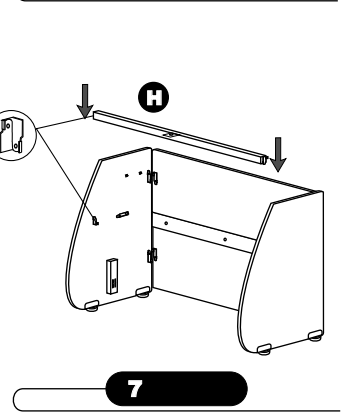
4



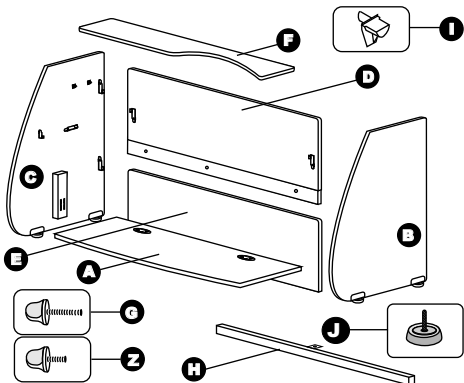
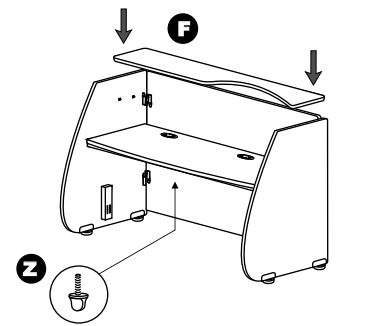
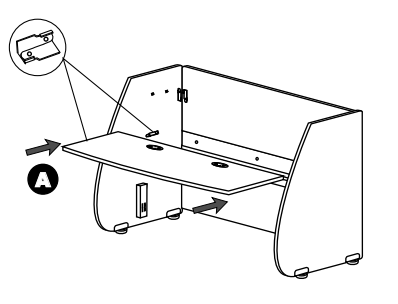
5



6



7



- | | |
|--|----------|
| A MAIN SURFACE..... | (1 PC) |
| B SIDE (RIGHT)..... | (1 PC) |
| C SIDE (LEFT)..... | (1 PC) |
| D TOP FRONTAL FRAME..... | (1 PC) |
| E BOTTOM FRONTAL FRAME..... | (1 PC) |
| F SHELF..... | (1 PC) |
| G SAFETY KNOB 32 mm..... | (3 PCS) |
| H SUPPORT BAR..... | (1 PC) |
| I PLASTIC PIN..... | (4 PCS) |
| J SAFETY KNOB 14.6mm..... | (4 PCS) |
| K LEVELING KNOB..... | (1 PC) |
| L SUPERFICIE PRINCIPAL..... | (4 PZAS) |
| M LATERAL DERECHO..... | (1 PZA) |
| N LATERAL IZQUIERDO..... | (1 PZA) |
| O MARCO FRONTAL SUPERIOR..... | (1 PZA) |
| P MARCO FRONTAL INFERIOR..... | (1 PZA) |
| Q REPIZA..... | (1 PZA) |
| R REGATON DE SEGURIDAD 32 mm..... | (3 PZAS) |
| S BARRA DE SOPORTE..... | (1 PZA) |
| T PIN PLASTICO..... | (4 PZAS) |
| U REGATON DE SEGURIDAD DE 14.6mm... | (1 PZA) |
| V REGATON NIVELADOR..... | (4 PZAS) |