



161 traditions trail
 Holly Springs, NC 27540
 Phone: 800-520-7471
 Fax: 919-362-4765
 Web Site: www.ofminc.com
 E-mail: ofm@ofminc.com

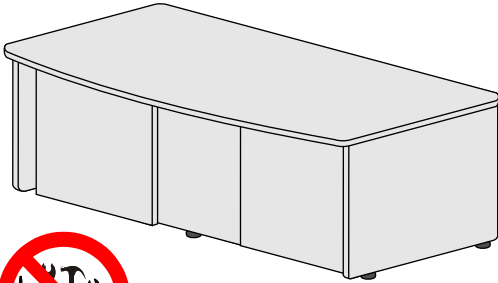
ASSEMBLY INSTRUCTIONS

INSTRUCTIVO DE ENSAMBLE

EXECUTIVE DESK FORZZA

55145

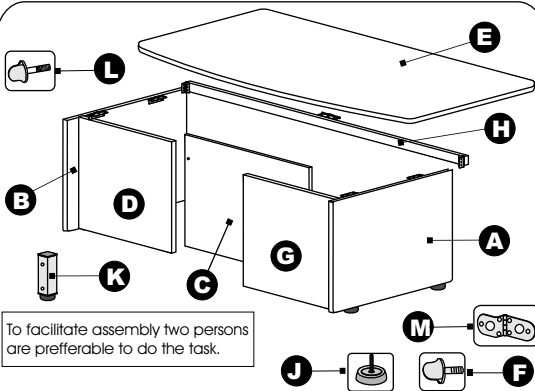
ESCRITORIO EJECUTIVO FORZZA



A.T. 12 min ASSEMBLY TIME

PATENT PENDING

PATENTE EN TRAMITE



To facilitate assembly two persons are preferable to do the task.

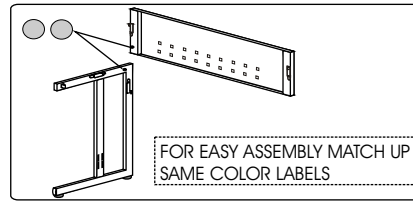
LIST OF PIECES

- A** SIDE FRAME (RIGHT) (1 PC)
- B** SIDE FRAME (LEFT) (1 PC)
- C** MODESTY PANEL (1 PC)
- D** PANEL LEFT..... (1 PC)
- E** TOP SHELF (1 PC)
- F** SAFETY KNOB 14.6 mm..... (21 PCS)
- G** PANEL RIGHT..... (1 PCS)
- H** SUPPORT BEAM..... (1 PCS)
- I** LEVELING KNOB..... (4 PCS)
- K** POST..... (1 PC)
- L** SAFETY KNOB 2 1/2 in..... (2 PCS)
- M** HINGE..... (4 PCS)

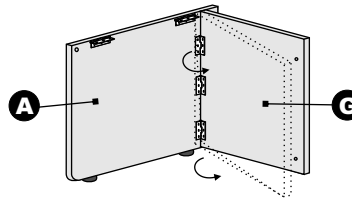
LISTA DE PARTES

- A** LATERAL DERECHO (1 PZA)
- B** LATERAL IZQUIERDO (1 PZA)
- C** MARCO CENTRAL (1 PZA)
- D** FRONTAL IZQUIERDO..... (1 PZA)
- E** CUBIERTA SUPERIOR (1 PZA)
- F** REGATON DE SEGURIDAD 14.6 mm.. (21 PZAS)
- G** FRONTAL DERECHO..... (1 PZAS)
- H** BARRA DE SOPORTE..... (1 PZAS)
- I** REGATON NIVELADOR..... (4 PZAS)
- K** POSTE..... (1 PZA)
- L** REGATON SEGURIDAD 2 1/2 in..... (2 PZAS)
- M** BISAGRAS..... (4 PZAS)

LINEA **ITALIA**[®]
 by - CRISA

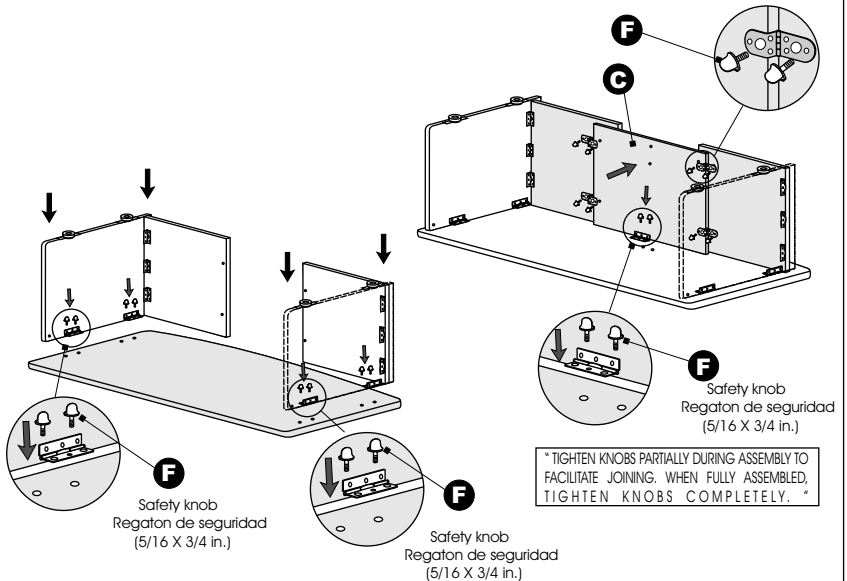


1



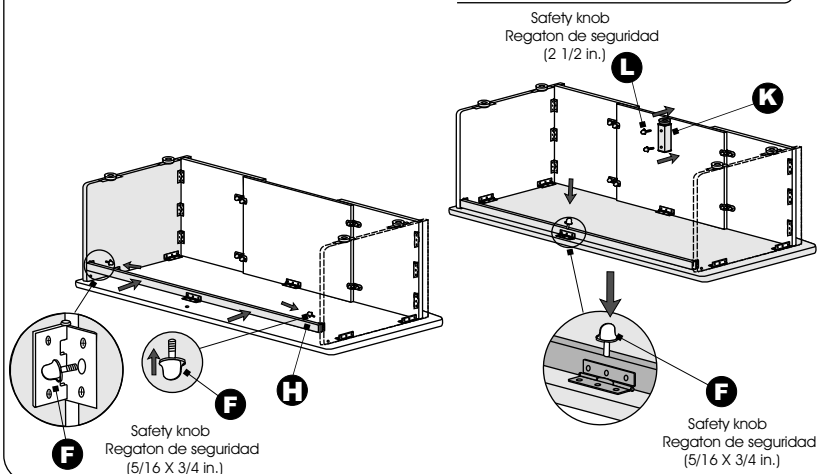
2

3



4

5



Safety knob
Regaton de seguridad
(2 1/2 in.)

Safety knob
Regaton de seguridad
(5/16 X 3/4 in.)

* TIGHTEN KNOBS PARTIALLY DURING ASSEMBLY TO FACILITATE JOINING. WHEN FULLY ASSEMBLED, TIGHTEN KNOBS COMPLETELY. *