



OFM, INC

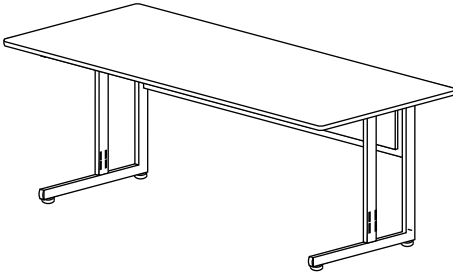
161 traditions trail
 Holly Springs, NC 27540
 Phone: 800-520-7471
 Fax: 919-362-4765
 Web Site: www.ofminc.com
 E-mail: ofm@ofminc.com

ASSEMBLY INSTRUCTIONS

INSTRUCTIVO DE ENSAMBLE

55142

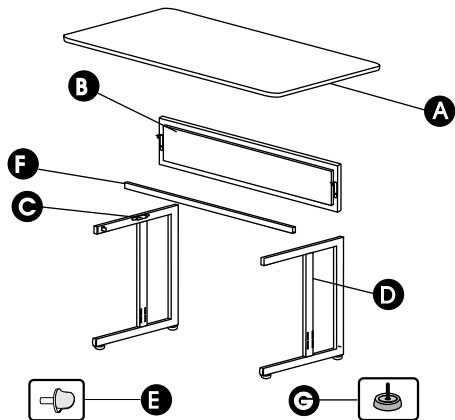
TRAINING TABLE



AT 5 min
ASSEMBLY TIME

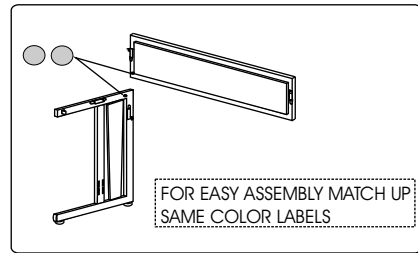
PATENT PENDING

PATENTE EN TRAMITE



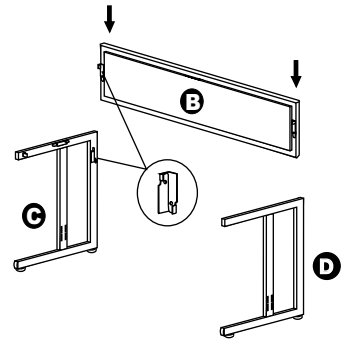
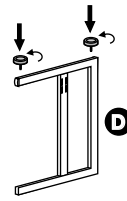
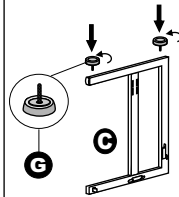
- | | |
|---|----------|
| A TOP SHELF..... | (1 PC) |
| B CENTRAL FRAME..... | (1 PC) |
| C SIDE (LEFT)..... | (1 PC) |
| D SIDE (RIGHT)..... | (1 PC) |
| E SAFETY KNOB 1 4.6 MM..... | (2 PCS) |
| F SUPPORT BAR..... | (1 PCS) |
| G LEVELING KNOB..... | (4 PCS) |
| A CUBIERTA SUPERIOR..... | (1 PZA) |
| B MARCO CENTRAL..... | (1 PZA) |
| C LATERAL IZQUIERDO..... | (1 PZA) |
| D LATERAL DERECHO..... | (1 PZA) |
| E REGATÓN DE SEGURIDAD 1 4.6 MM..... | (2 PZAS) |
| F BARRA DE SOPORTE..... | (1 PZA.) |
| G REGATON NIVELADOR..... | (4 PZAS) |

LINEA ITALIA®

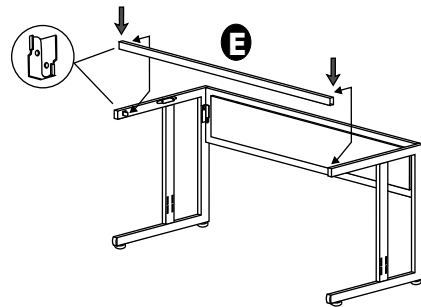


1

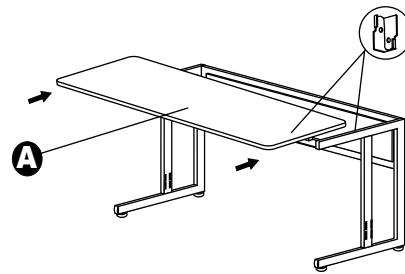
2



3



4



5

